

PRECISION STEREO CONTROL CENTER C-2300



Accuphase Laboratory, Inc.

1

The new C-2300 is an entirely new model that integrates the C-2000 series, the standard for separate systems, and the C-2400 series, which has gained tremendous support from music lovers as a middle-class pre-main amplifier.

C-2300 has the "Balanced AAVA" volume control circuitry in the higher-end C-2900.

In addition to the low and high frequencies, a new 4-band tone control allows adjusting the mid-low and mid-high frequencies, providing greater flexibility in adjusting the bandwidth balance. Expandability is also enhanced with two slots for the AD-60 Phono equalizer board and the DAC-60 Digital input board, making it compatible with various sound sources.

Enjoy your favorite music to your heart's content with C-2300, which has evolved by combining outstanding circuit technology with new features!

Dimensions and weight

- Almost the same size as current preamplifiers C-2450/C-2150



Accuphase Laboratory, Inc.

2

Dimensions of C-2300 are not significantly different from other preamplifiers

The weight of C-2300 is almost the same as C-2450 as well.

**Weight of C-2450: 19.0kg

All functions as a control center

- Abundant input/output terminals and functions



Accuphase Laboratory, Inc.

3

C-2300 is equipped with all the functions required for a control center.

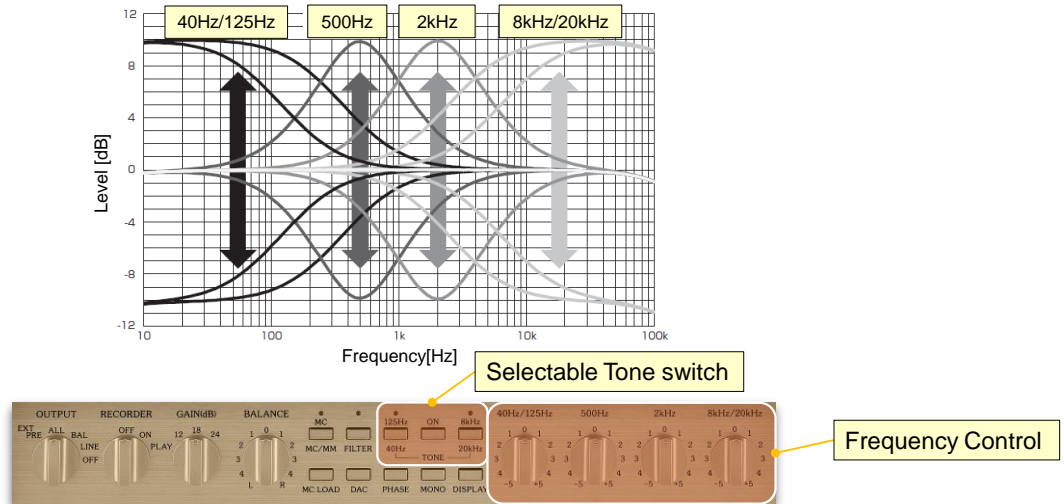
The input and output signals are typically in phase, but the phase can be inverted with the PHASE switch. The set phase is stored for each input terminal even after the power is turned off, so there is no need to redo the setting.

The EXT PRE function, which can be switched with an external preamplifier, is practical when this unit is integrated into a home theater system.

The COMPENSATOR function raises the volume of the low-frequency range when listening at low volume to improve the audible energy balance and compensate for the lack of volume in the low-frequency range.

All functions as a control center

- A 4-band tone control



Accuphase Laboratory, Inc.

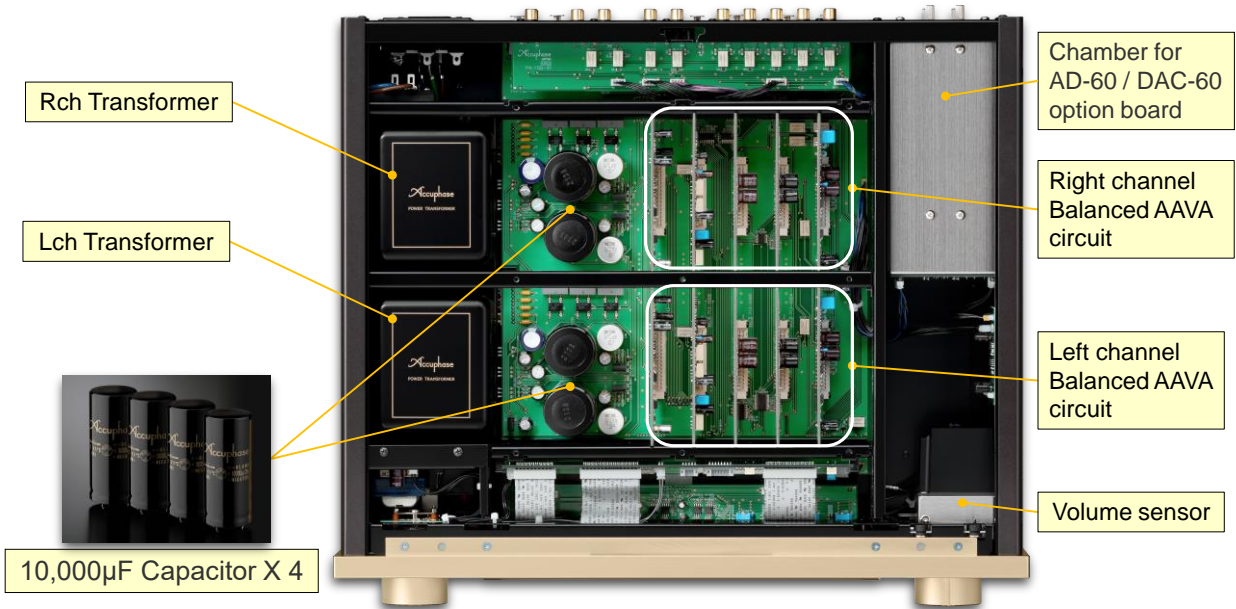
4

C-2300 also has a 4-band tone control circuit that can effectively adjust the bandwidth balance of the music signal. Considering the sound quality, the circuit uses an additive active filter in full-fledged graphic equalizers.

500Hz is effective for adjusting the strength of rhythm instruments, and 2 kHz is effective for changing the expressiveness of vocals.

In addition, the low-frequency range is selectable between 40Hz and 125Hz, and the high-frequency range between 8 kHz and 20 kHz allows the overall energy balance adjustment.

Internal view



Accuphase Laboratory, Inc.

5

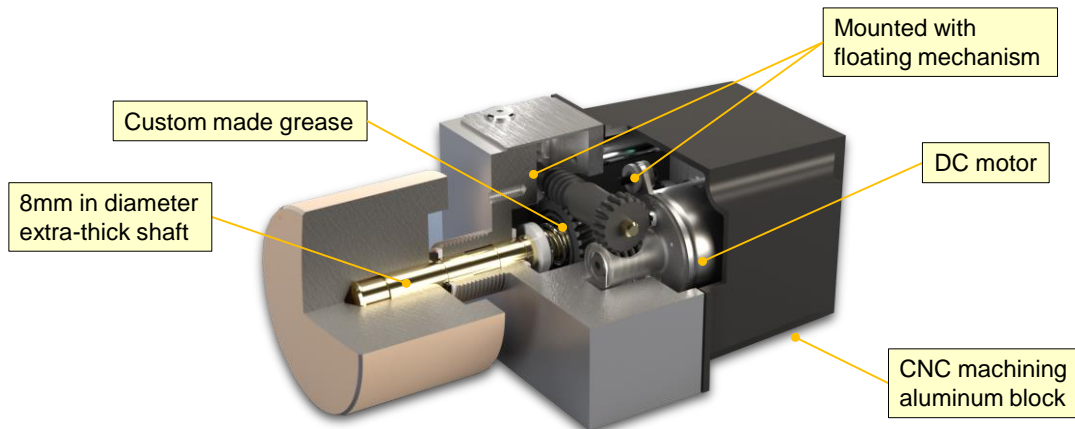
The quality of the power supply that supplies energy to the amplification circuitry significantly impacts sound quality.

This unit is equipped with two cased high-efficiency transformers.

In addition, two large-capacity 10,000 μ F filter capacitors are installed on each side to provide a generous power supply.

Volume sensor mechanism

- Distinguished operation feeling
- Reduced mechanical and motor noise



Accuphase Laboratory, Inc.

6

The music signal does not pass the volume mechanism in AAVA and also balanced AAVA. It is just a position sensor to set the sound volume.

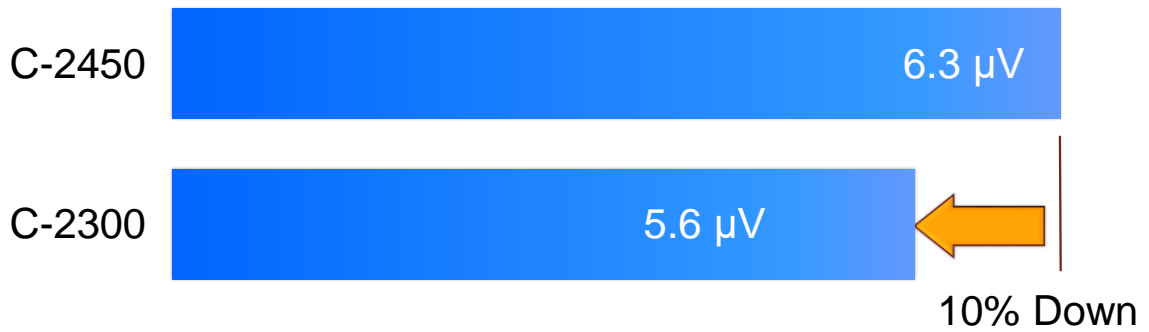
However, the feeling of the volume knob is essential for audio enthusiasts.

In the C-2300, the motor and the set of gears are mounted with the floating mechanism, and with the custom-made grease, the knob provides a smooth operation feel and super-quiet volume adjustment.

The volume sensor mechanism is floated from the chassis to block off the vibration with specially-made silicone rubbers.

Ultra low noise

- 10% lower than current model
 - Guaranteed S/N ratio: 111dB



Guaranteed Residual noise @ Volume Maximum, Input shorted

Accuphase Laboratory, Inc.

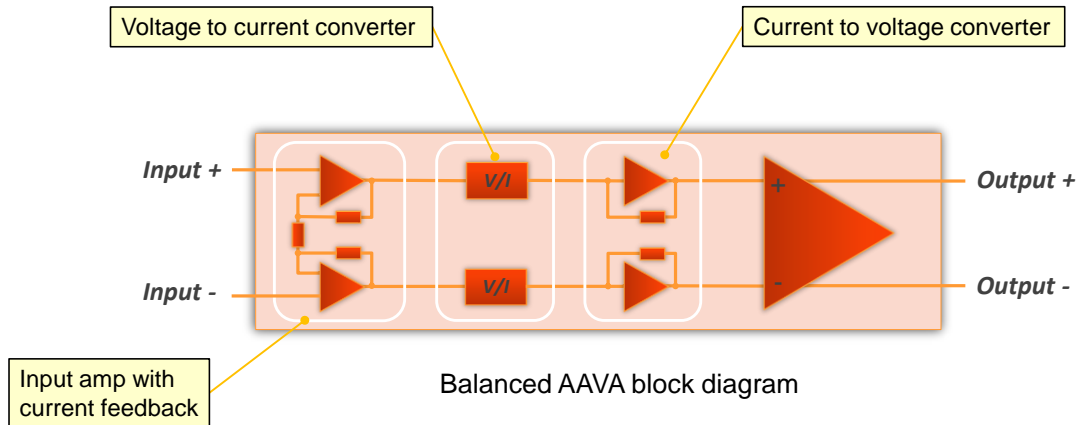
7

The Balanced AAVA principle reduces the noise level in the C-2300 to 10% lower than the former C-2450. It makes a significant improvement in sound performance.

Technology for ultra low noise

- Balanced AAVA

- All signal paths including tone circuits are balanced



Accuphase Laboratory, Inc.

8

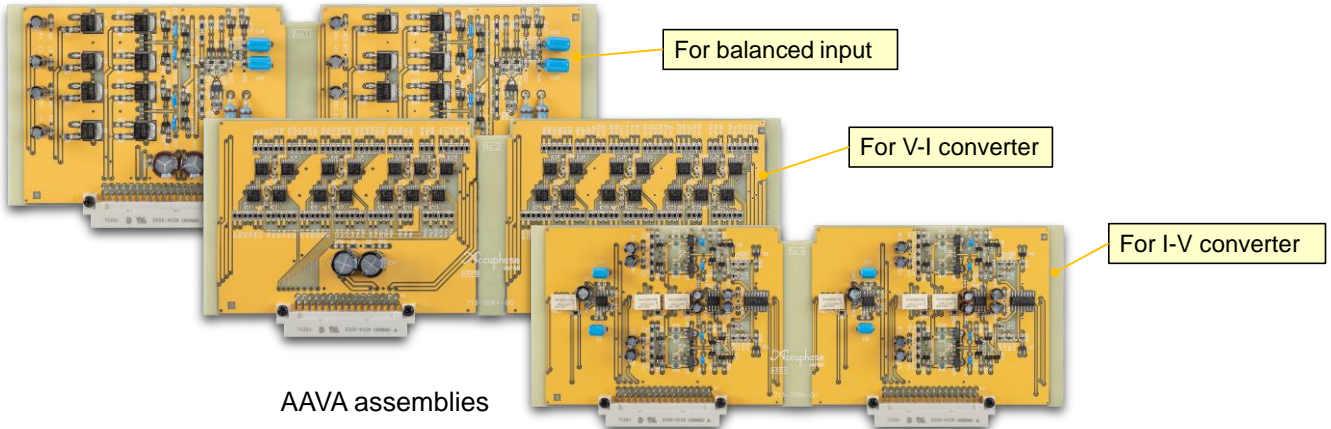
The AAVA (Accuphase Analog Vari-gain Amplifier) is a radically different volume control principle that eliminates all variable resistors from the signal path.

C-2300 employs two AAVA modules in a fully balanced configuration from input to output. It's called Balanced AAVA.

This breakthrough architecture minimizes the external or internally-initiated noise by balancing the internal signal transmissions.

Technology for ultra low noise

- All AAVA circuits made by discrete configuration
- Independent amplifier structure



Accuphase Laboratory, Inc.

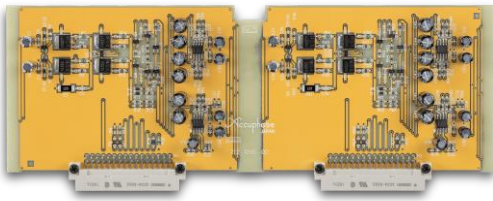
9

All AAVA Assembly boards have discrete and balanced configurations to achieve ultra-low noise characteristics.

High-gained Balanced Input amp shows excellent noise performance at high volume levels.

Further more ...

- Custom components for ultimate sound quality
 - Parallel output staged High-performance Headphone amplifier
 - High-quality cast iron insulator



High performance Headphone amplifier



High carbon cast iron insulator



RC-250
Remote Commander

Accuphase Laboratory, Inc.

10

The C-2300 consists of many custom-made parts.

Discretely configured, high-quality headphone amplifier drives every single headphone worldwide, with high output current provided from the dedicated power source.

High carbon cast iron insulator is also a custom part for all Accuphase products. It suppresses unwanted vibrations and brings out the complete purity of the music.

An elegant and high-quality remote commander is supplied.